

DANAU SPECIAL PLUNGER PUMP

SERIES

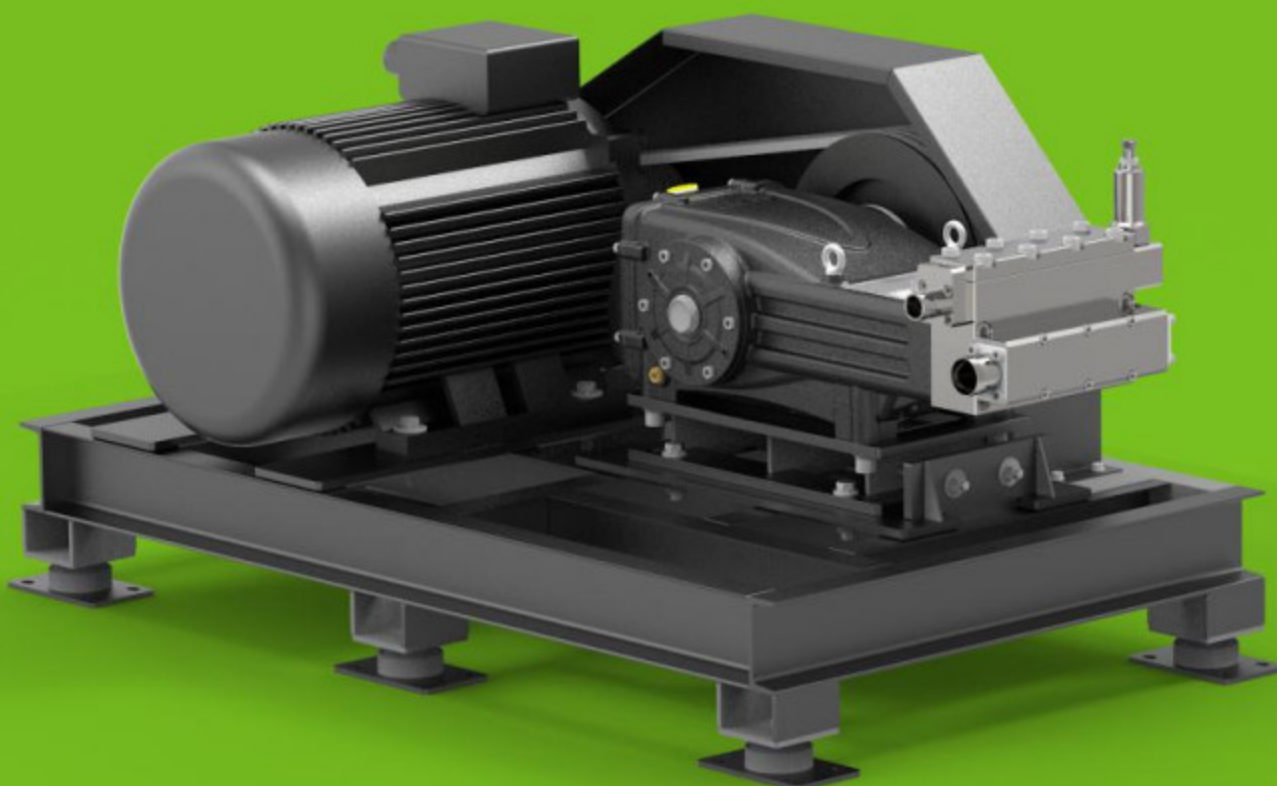
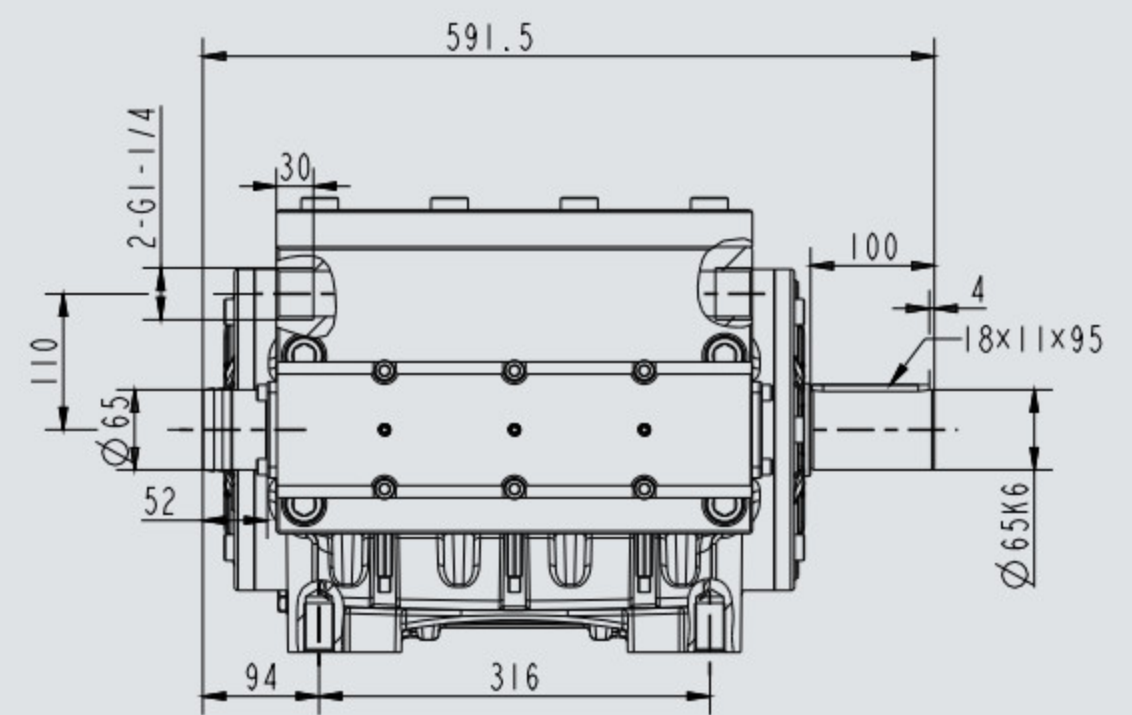
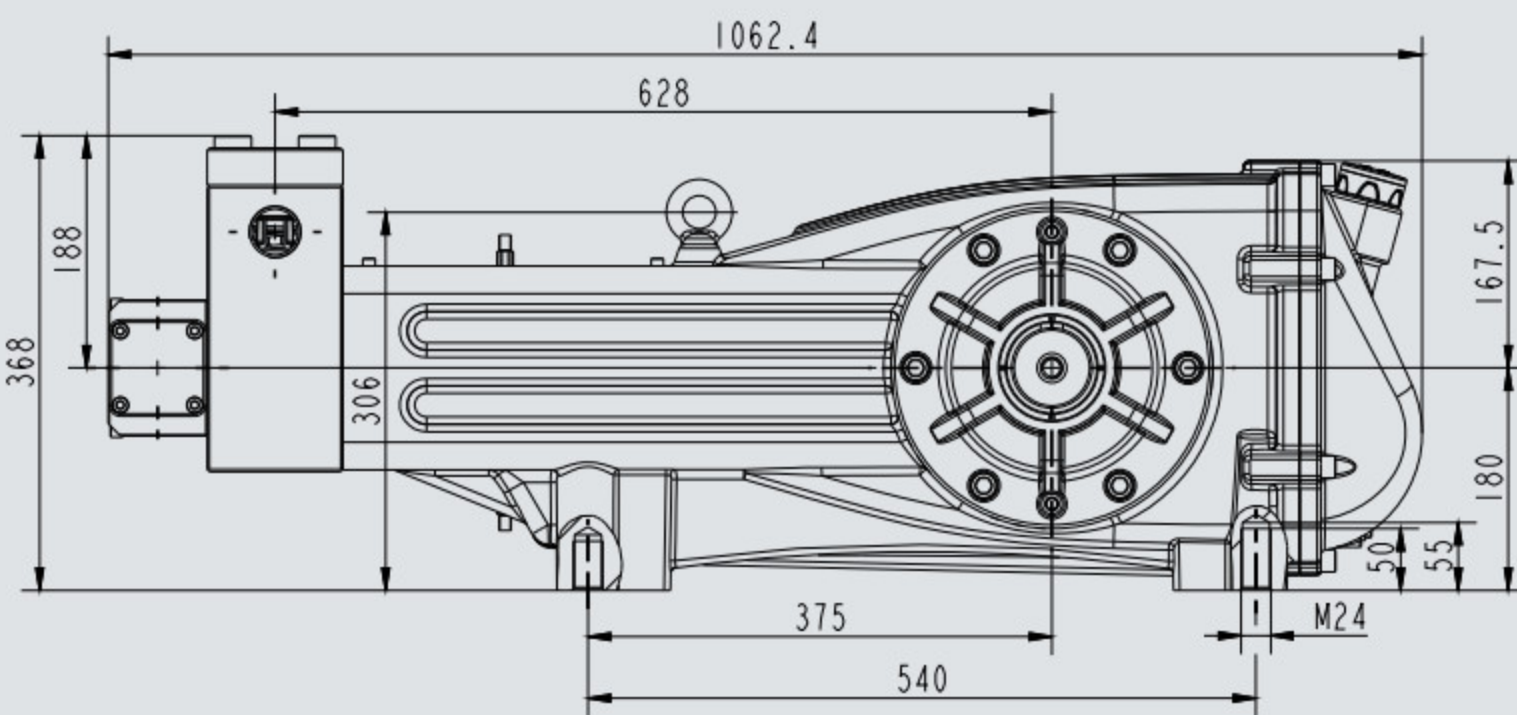
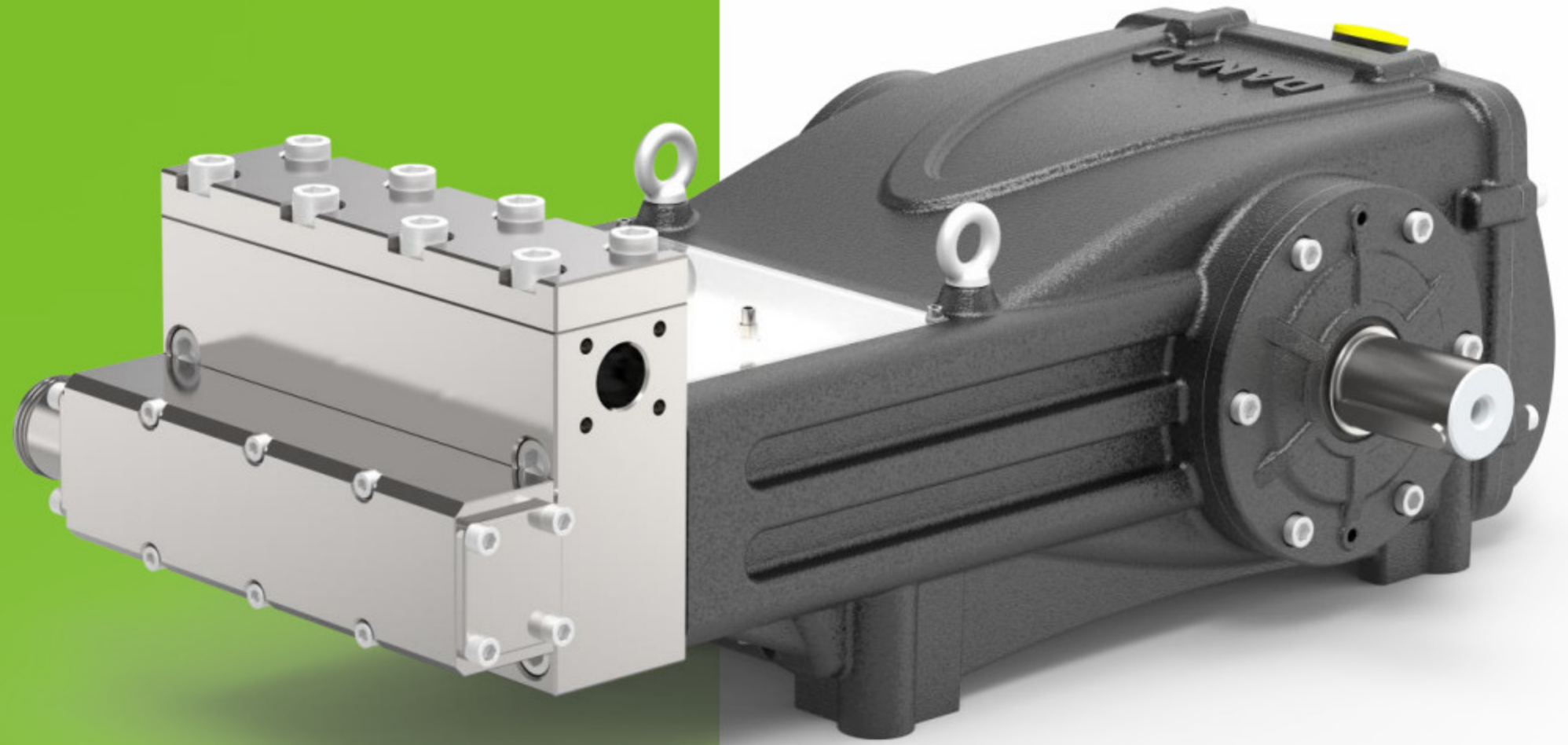
DBS



SPECIFICATION

PUMP MODEL: DBS-5575
FLOW RANGE: 160-358 L/m
RPM RANGE: 300-670 Rpm
MAX PRESSURE: 180 Bar
MOTOR POWER: 110 KW

PUMP MODEL: DBH-6575
FLOW RANGE: 224-500 L/m
RPM RANGE: 300-670 Rpm
MAX PRESSURE: 130 Bar
MOTOR POWER: 110 KW



DBS

RO/CHEMICAL PUMP SET

MOTOR POWER: 45 - 110KW
MAX FLOW: 500 L/m
CONNECTION: Pully
ACCESSORIES: Accumulator, Safety Valve
CONTINUOUS: Low Speed for 24 Hours
MOUNTING BASE: For Optional