

# DANAU SPECIAL PLUNGER PUMP

SERIES

# DBR



## SPECIFICATION

**PUMP MODEL:** DBR-3626

**FLOW RANGE:** 79-115 L/m

**RPM RANGE:** 1000-1450 Rpm

**MAX PRESSURE:** 120 Bar

**MOTOR POWER:** 27 KW

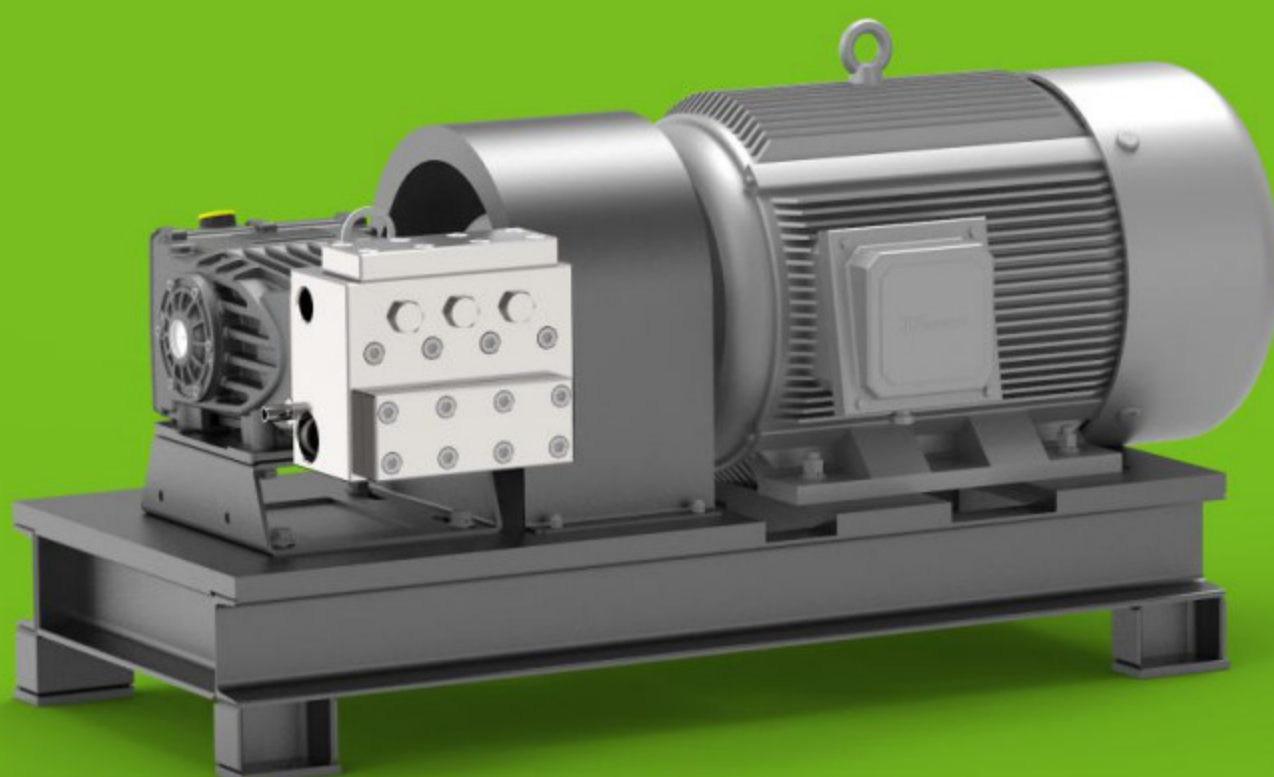
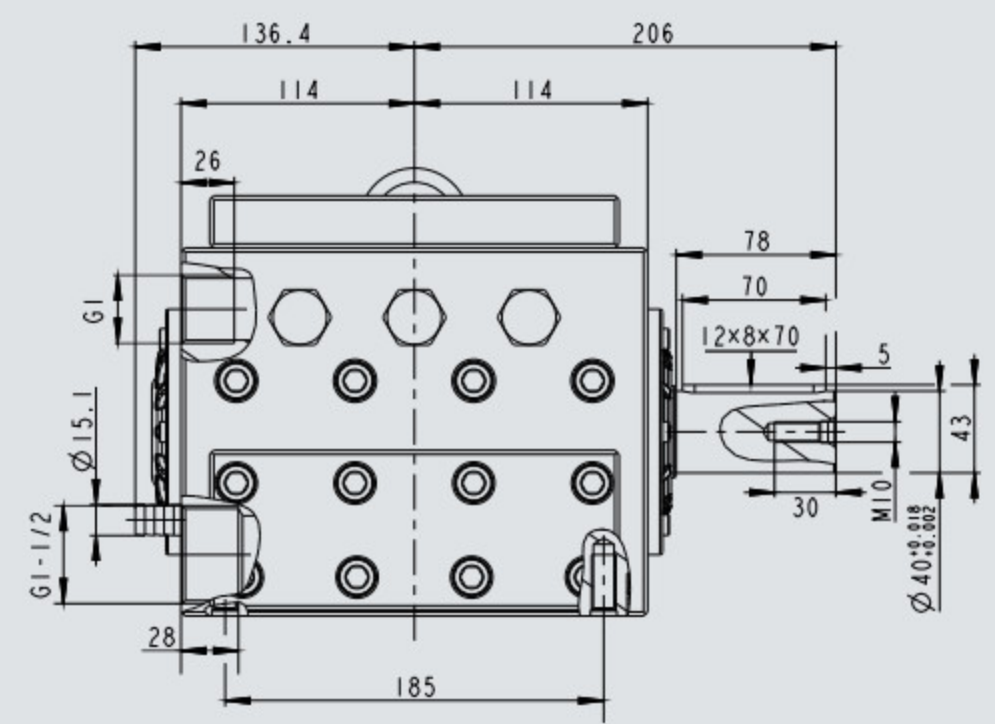
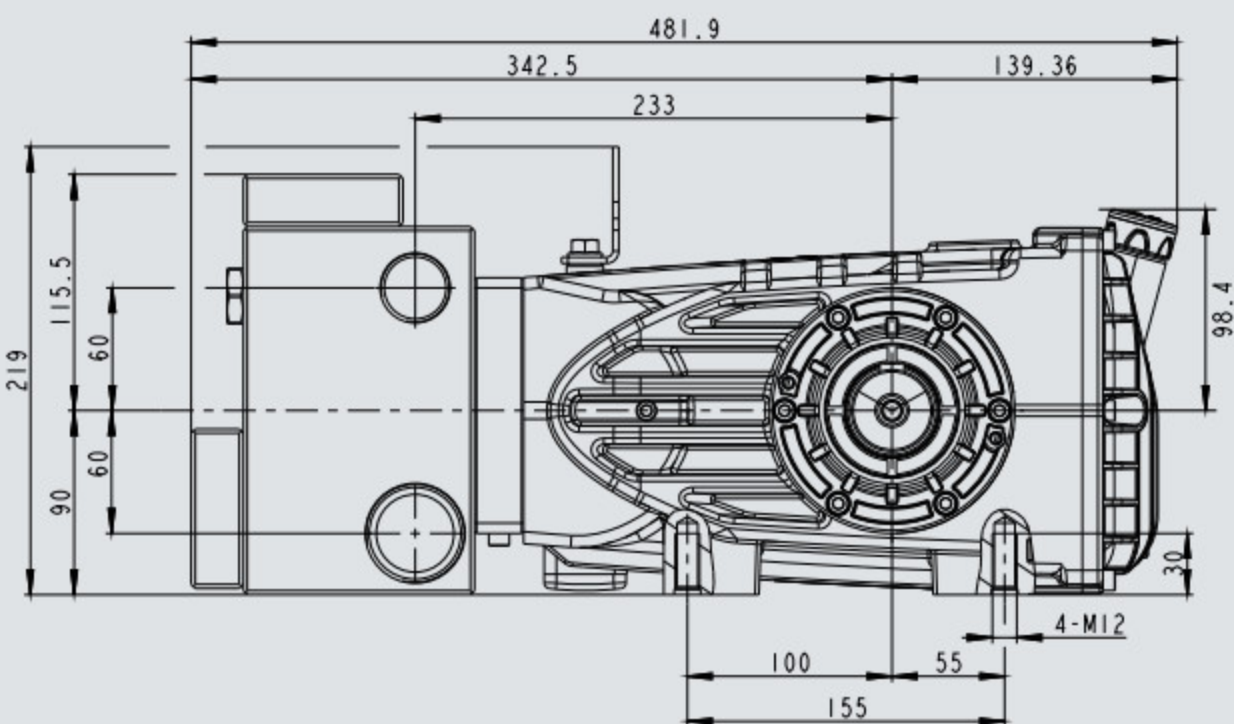
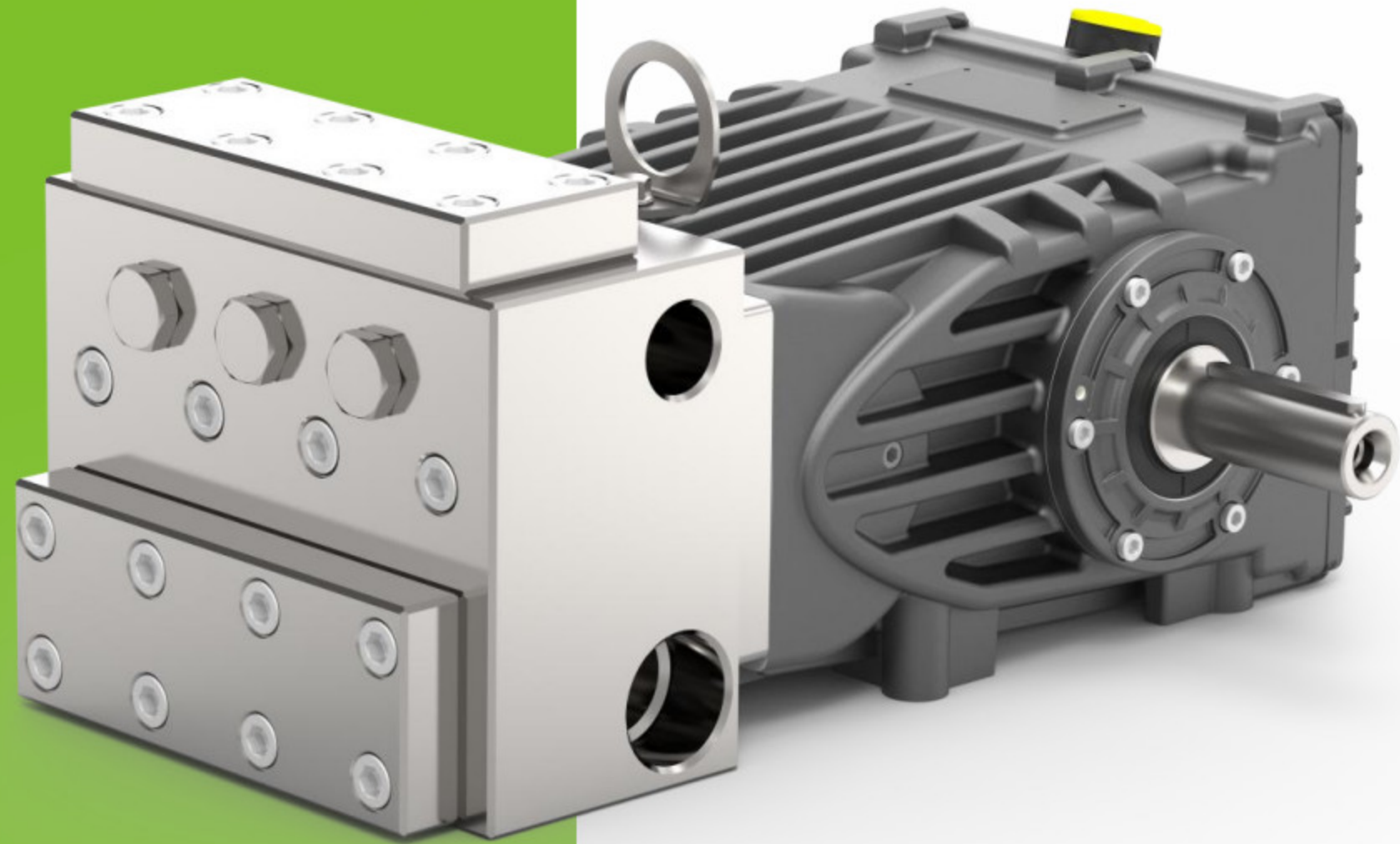
**PUMP MODEL:** DBR-4026

**FLOW RANGE:** 98-142 L/m

**RPM RANGE:** 1000-1450 Rpm

**MAX PRESSURE:** 100 Bar

**MOTOR POWER:** 27 KW



# DBR

## RO/CHEMICAL PUMP SET

**MOTOR POWER:** 11 - 30KW

**MAX FLOW:** 140 L/m

**CONNECTION:** Bell Housing, Pully

**ACCESSORIES:** Accumulator, Safety Valve

**CONTINUOUS:** Low Speed for 24 Hours

**MOUNTING BASE:** For Optional