

DANAU SPECIAL PLUNGER PUMP

SERIES

DBQ



SPECIFICATION

PUMP MODEL: DBQ-20146

FLOW RANGE: 13.7-20 L/m

RPM RANGE: 1000-1450 rpm

MAX PRESSURE: 190 Bar

MOTOR POWER: 7.5 KW

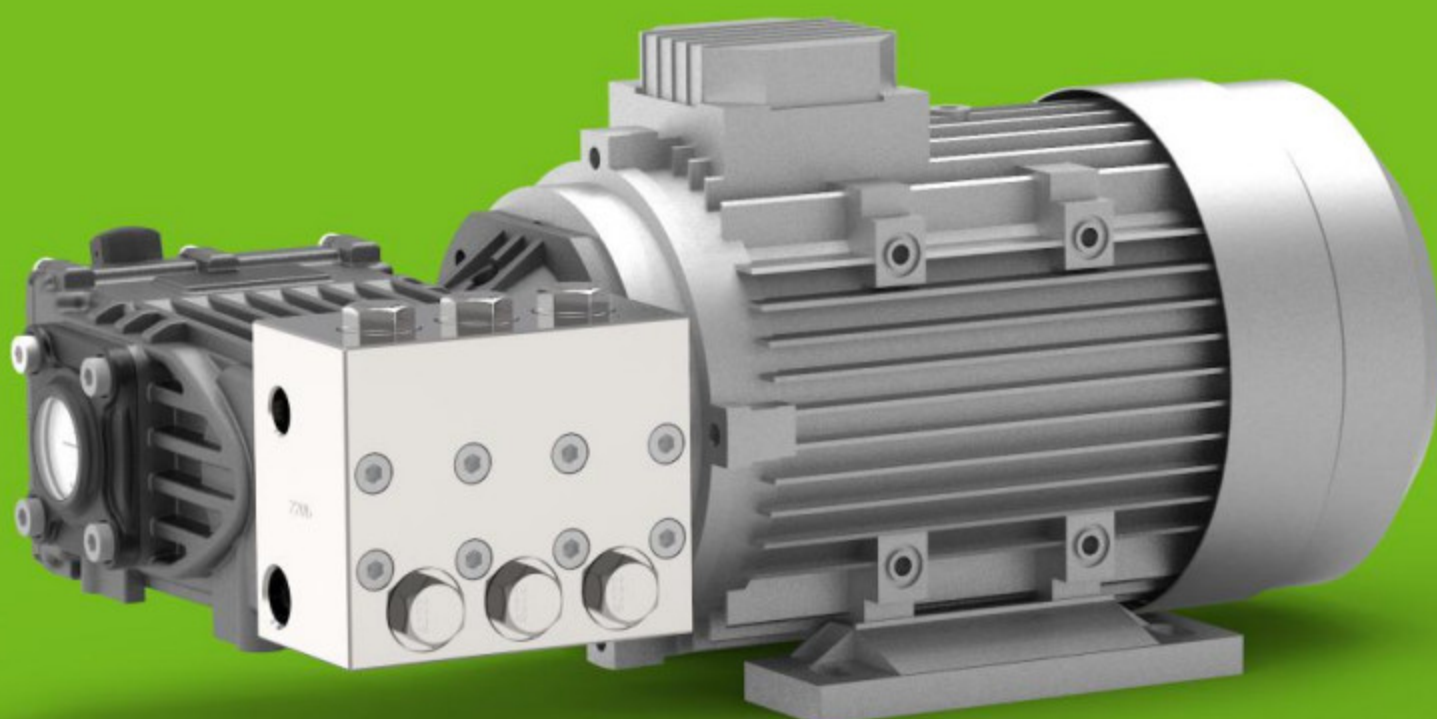
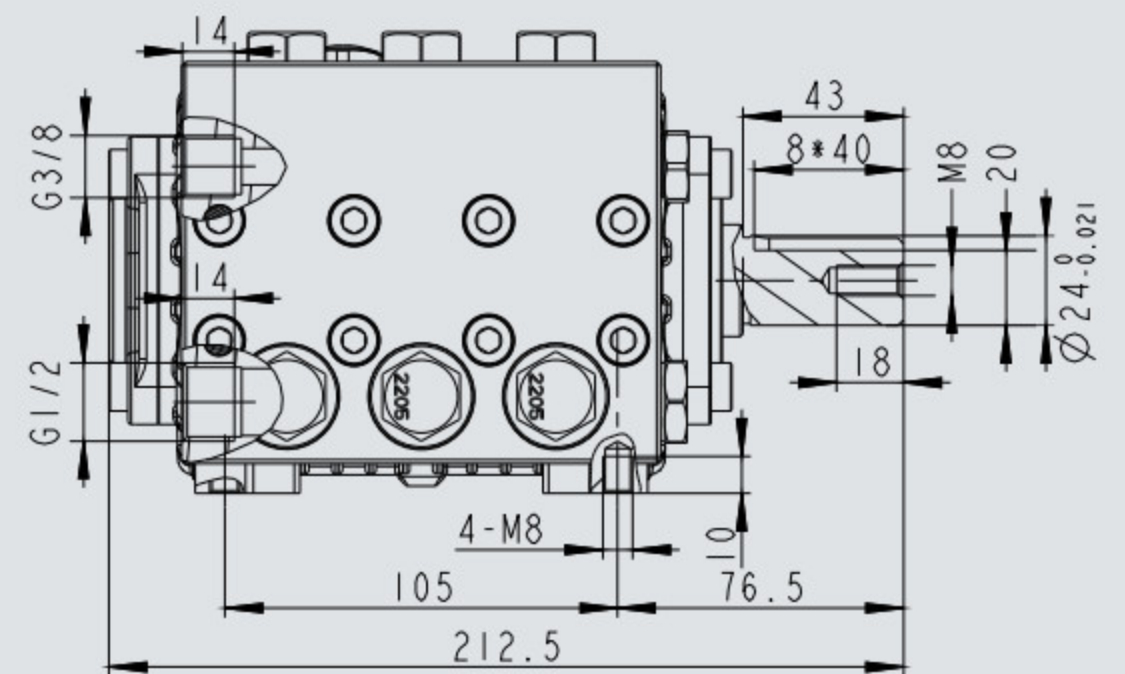
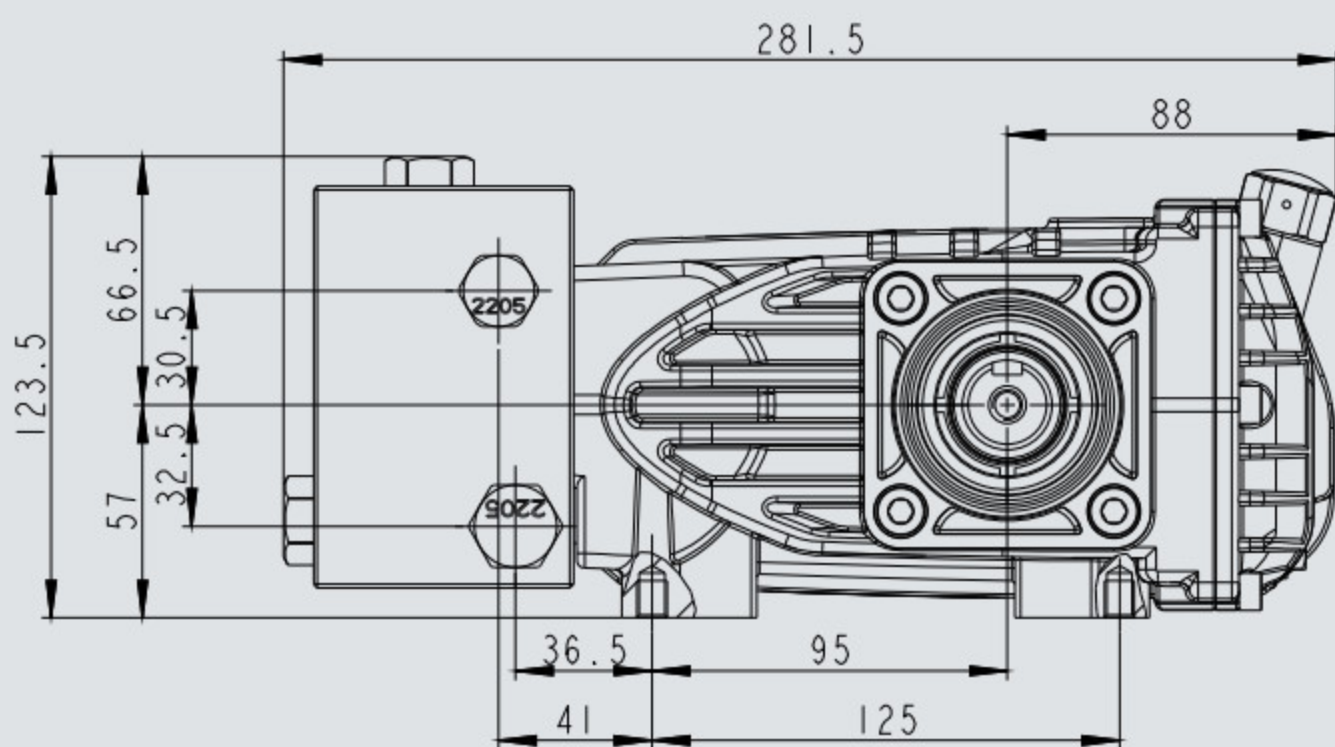
PUMP MODEL: DBQ-22146

FLOW RANGE: 16.6-24 L/m

RPM RANGE: 1000-1450 Rpm

MAX PRESSURE: 160 Bar

MOTOR POWER: 7.5 KW



DBQ

RO/CHEMICAL PUMP SET

MOTOR POWER: 2.2 - 7.5KW

MAX FLOW: 24 L/m

CONNECTION: Flange Direct Drive, Pully

ACCESSORIES: Accumulator, Safety Valve

CONTINUOUS: Low Speed for 24 Hours

MOUNTING BASE: For Optional