

# DANAU SPECIAL PLUNGER PUMP

SERIES

# DBP



## SPECIFICATION

**PUMP MODEL:** DBP-3025

**FLOW RANGE:** 53-76 L/m

**RPM RANGE:** 1000-1450 Rpm

**MAX PRESSURE:** 150 Bar

**MOTOR POWER:** 22 KW

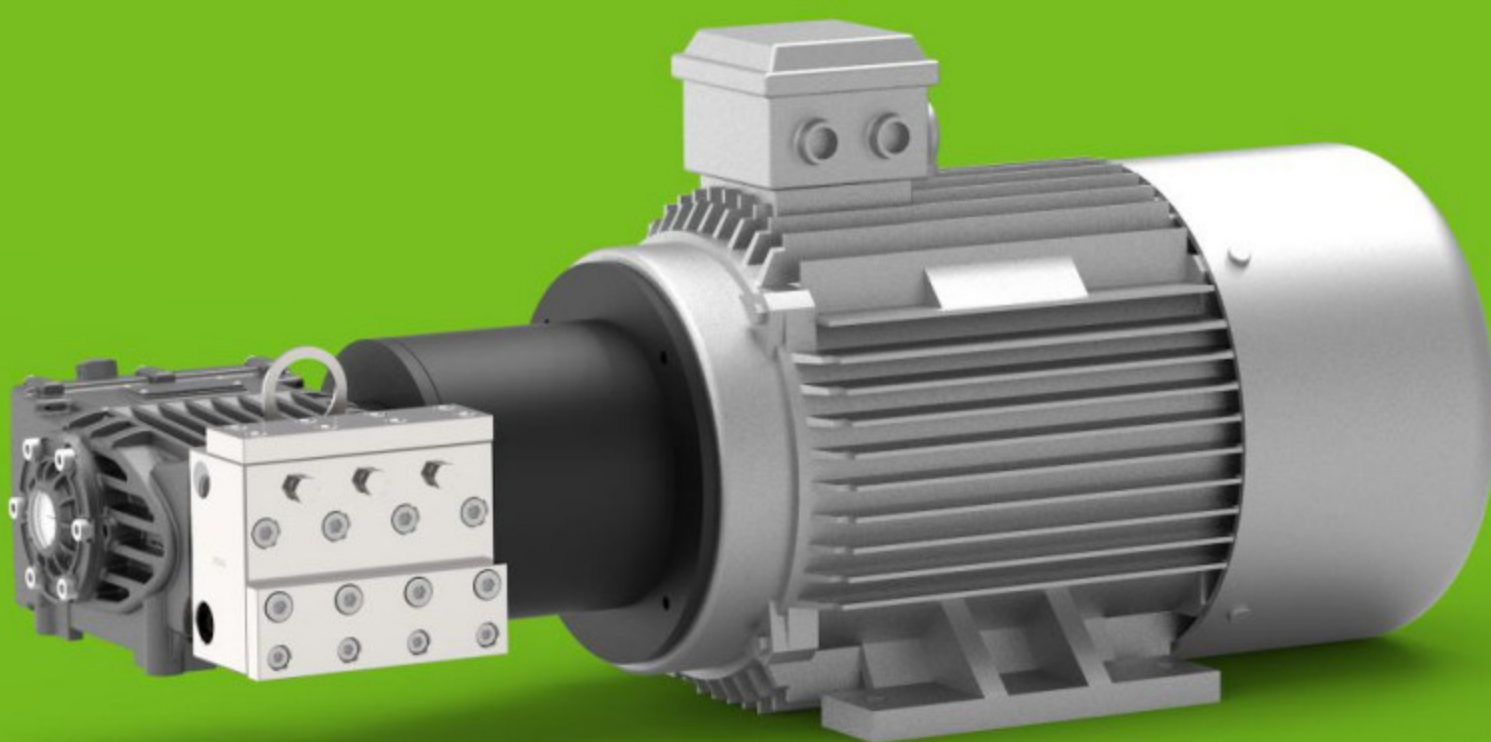
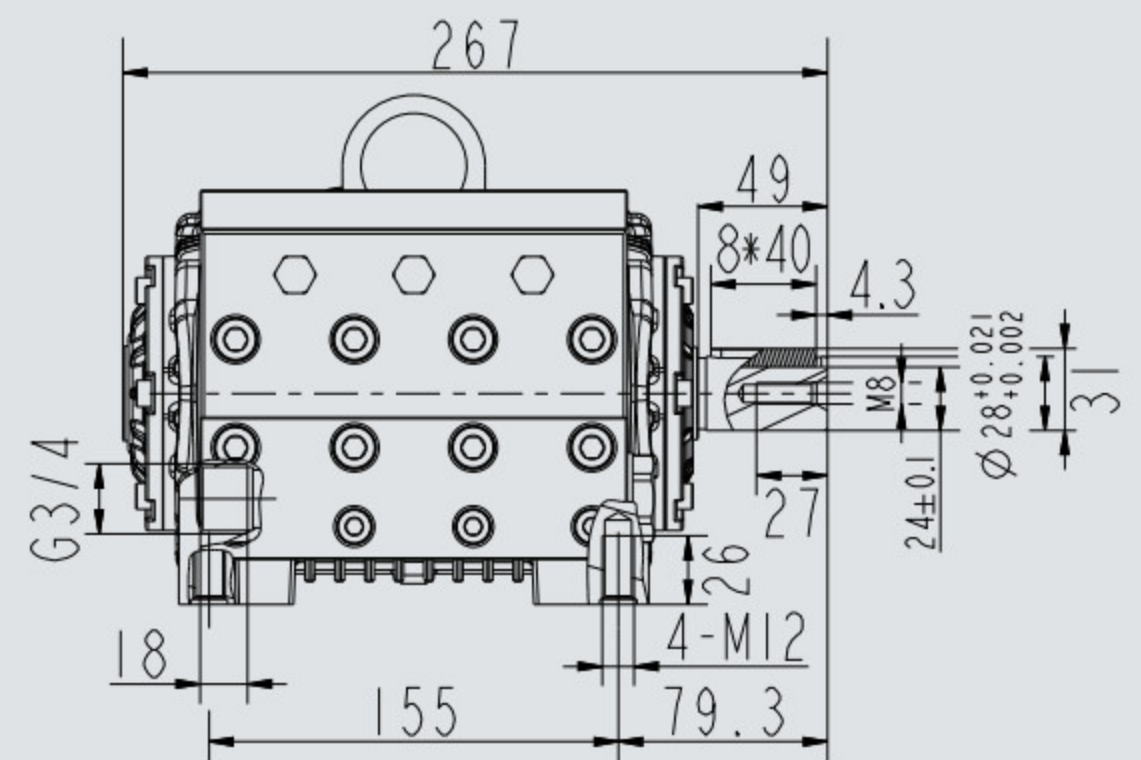
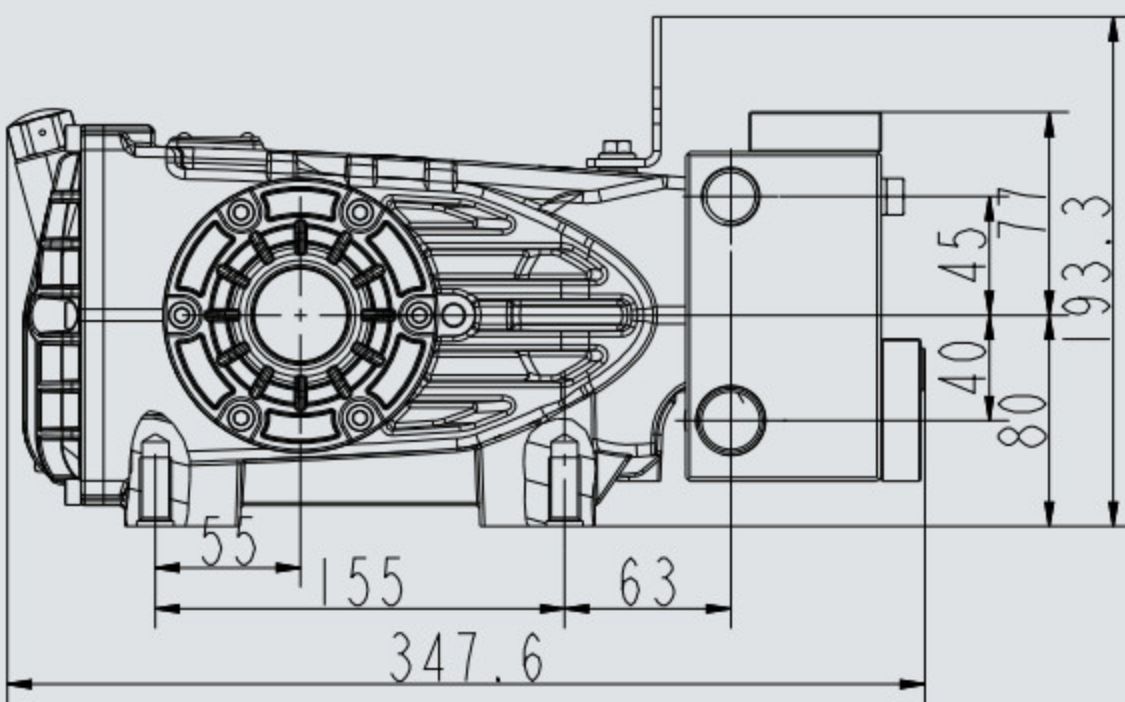
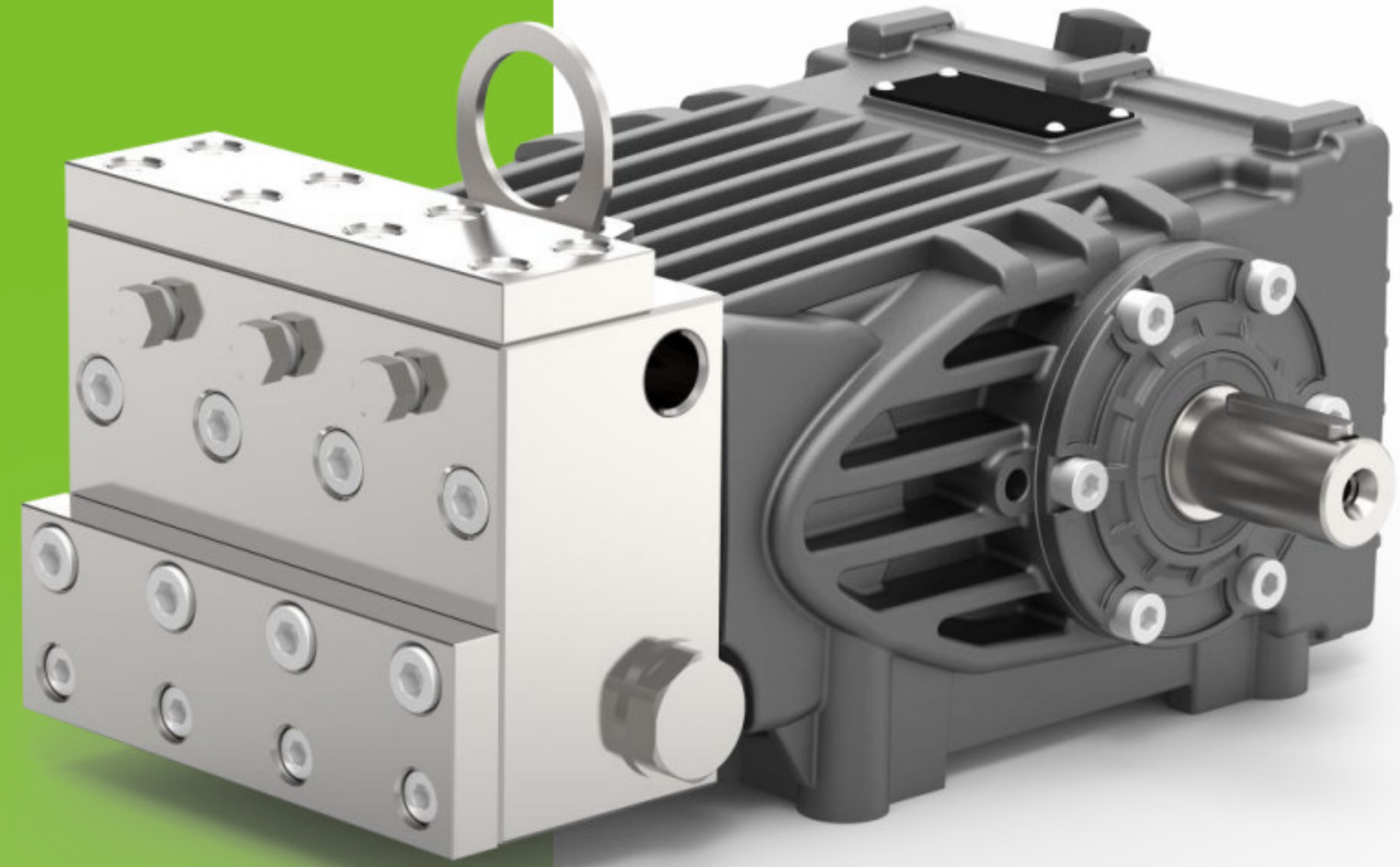
**PUMP MODEL:** DBP-3225

**FLOW RANGE:** 60-87 L/m

**RPM RANGE:** 1000-1450 Rpm

**MAX PRESSURE:** 130 Bar

**MOTOR POWER:** 22 KW



# DBP

## RO/CHEMICAL PUMP SET

**MOTOR POWER:** 7.5 - 22KW

**MAX FLOW:** 87 L/m

**CONNECTION:** Bell Housing, Pully

**ACCESSORIES:** Accumulator, Safety Valve

**CONTINUOUS:** Low Speed for 24 Hours

**MOUNTING BASE:** For Optional