

DANAU SPECIAL PLUNGER PUMP

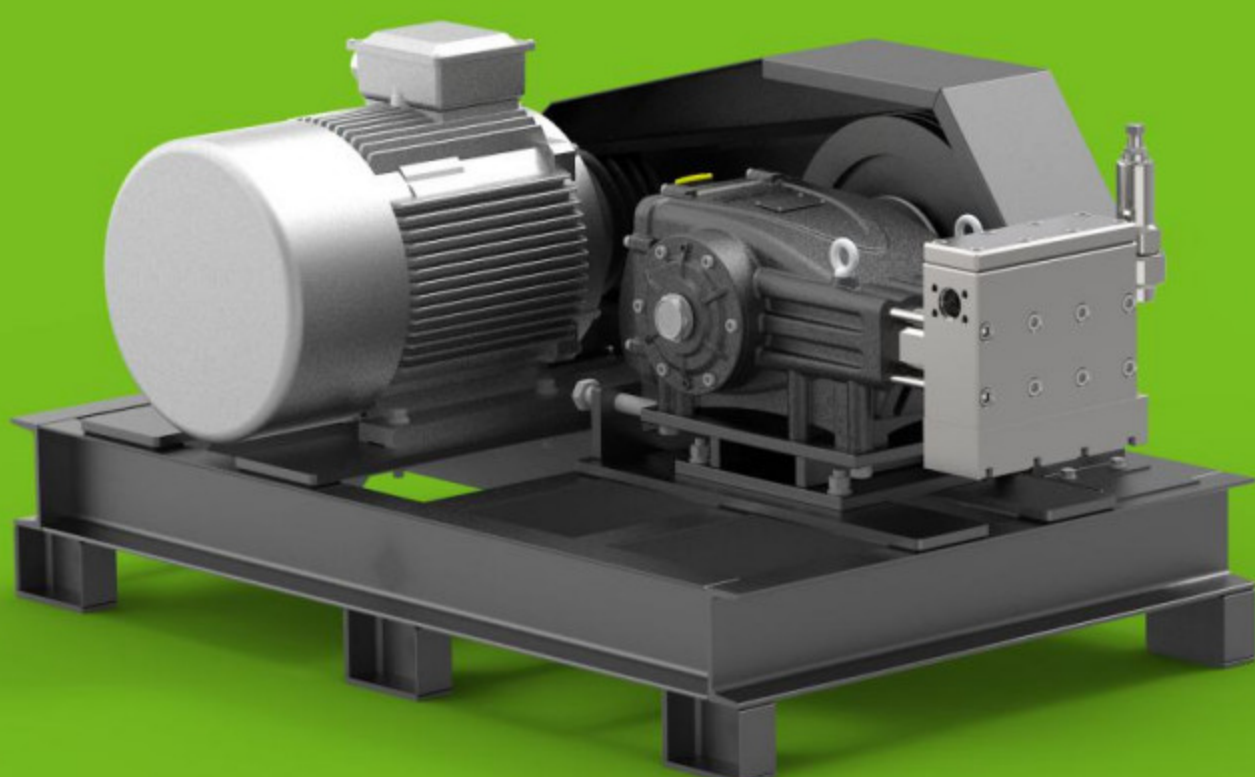
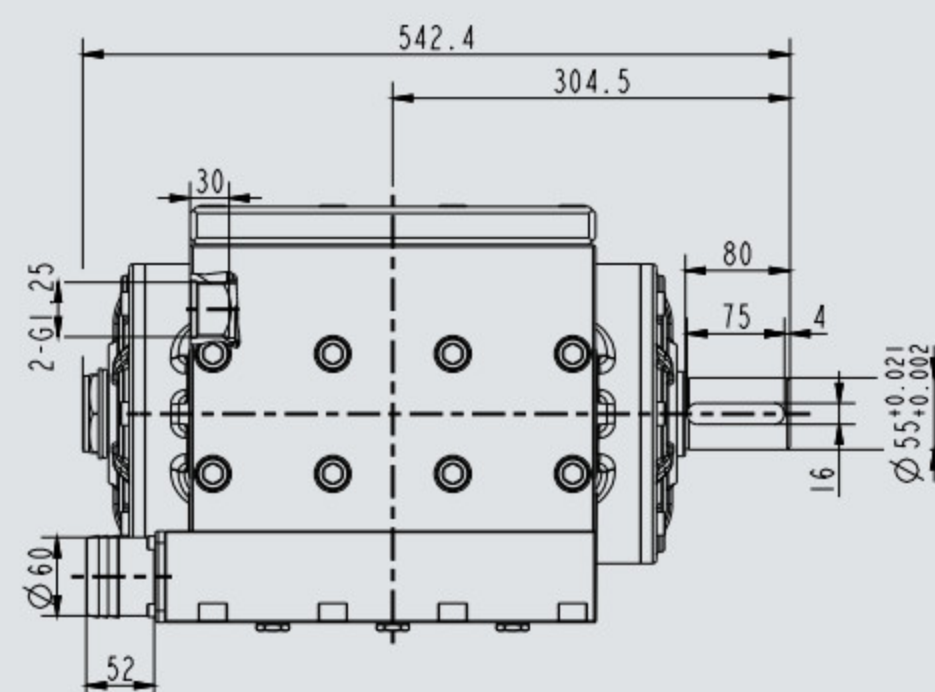
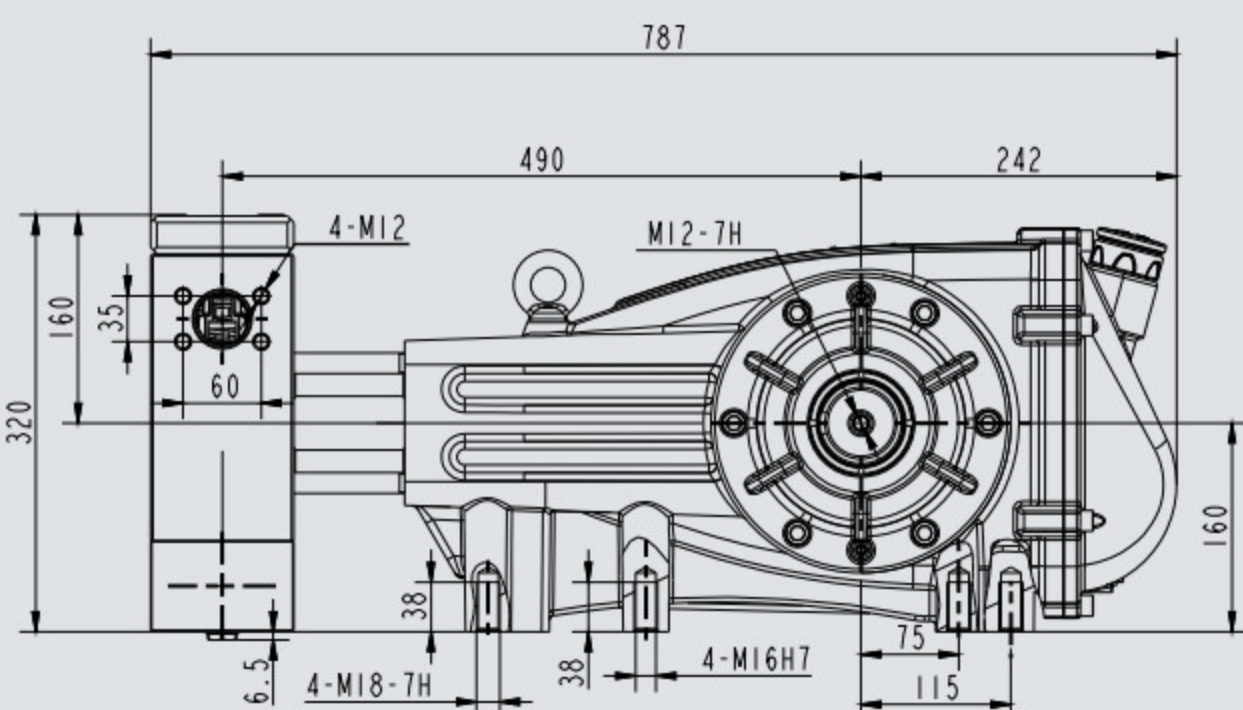
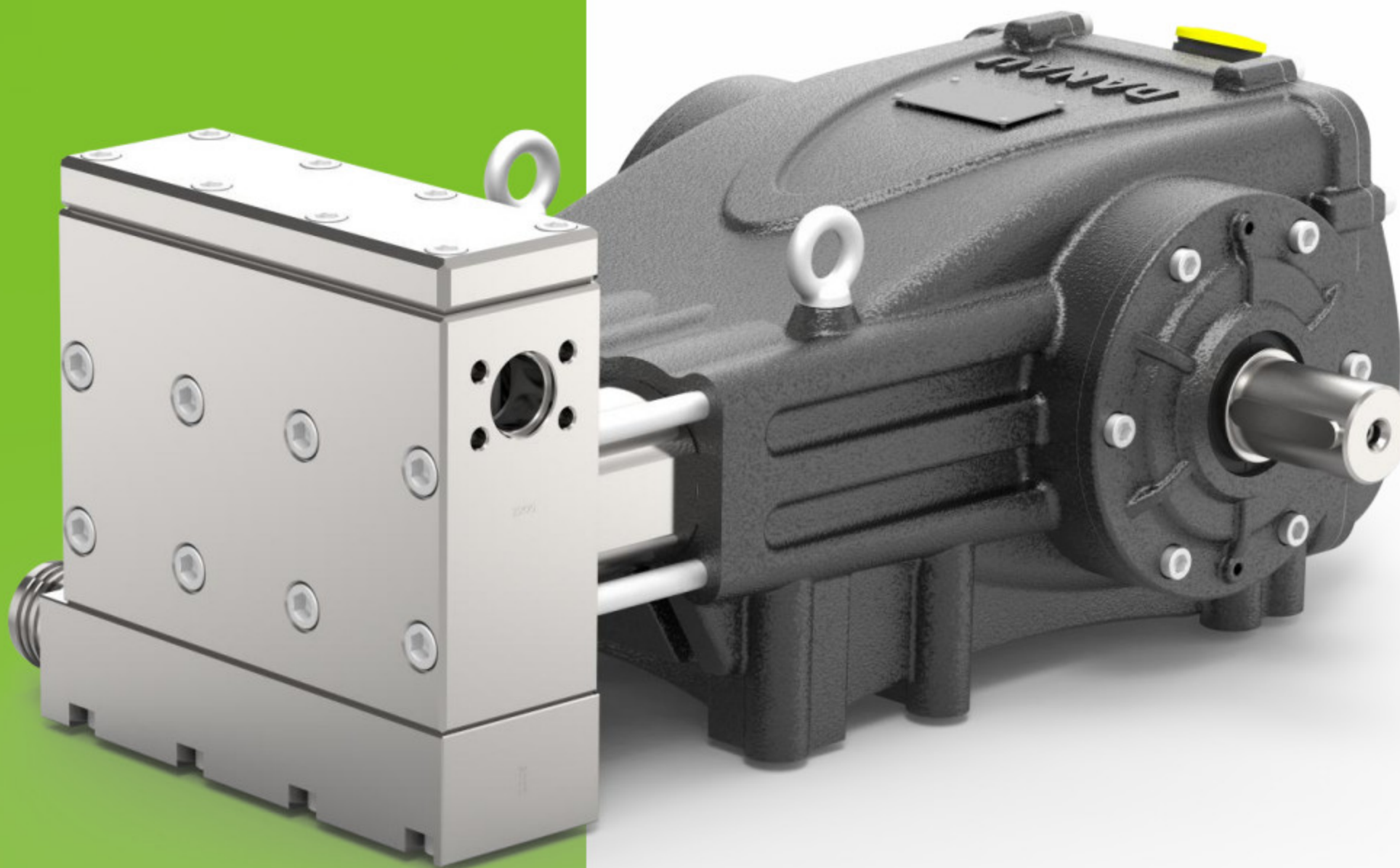
SERIES

DBN

SPECIFICATION

PUMP MODEL: DBN-4570
FLOW RANGE: 133-267 L/m
RPM RANGE: 400-800 Rpm
MAX PRESSURE: 160 Bar
MOTOR POWER: 75 KW

PUMP MODEL: DBN-5070
FLOW RANGE: 164-329 L/m
RPM RANGE: 400-800 Rpm
MAX PRESSURE: 130 Bar
MOTOR POWER: 75 KW



DBN

RO/CHEMICAL PUMP SET

MOTOR POWER: 30 - 75KW
MAX FLOW: 329 L/m
CONNECTION: Pully
ACCESSORIES: Accumulator, Safety Valve
CONTINUOUS: Low Speed for 24 Hours
MOUNTING BASE: For Optional