

DANAU SPECIAL PLUNGER PUMP

SERIES

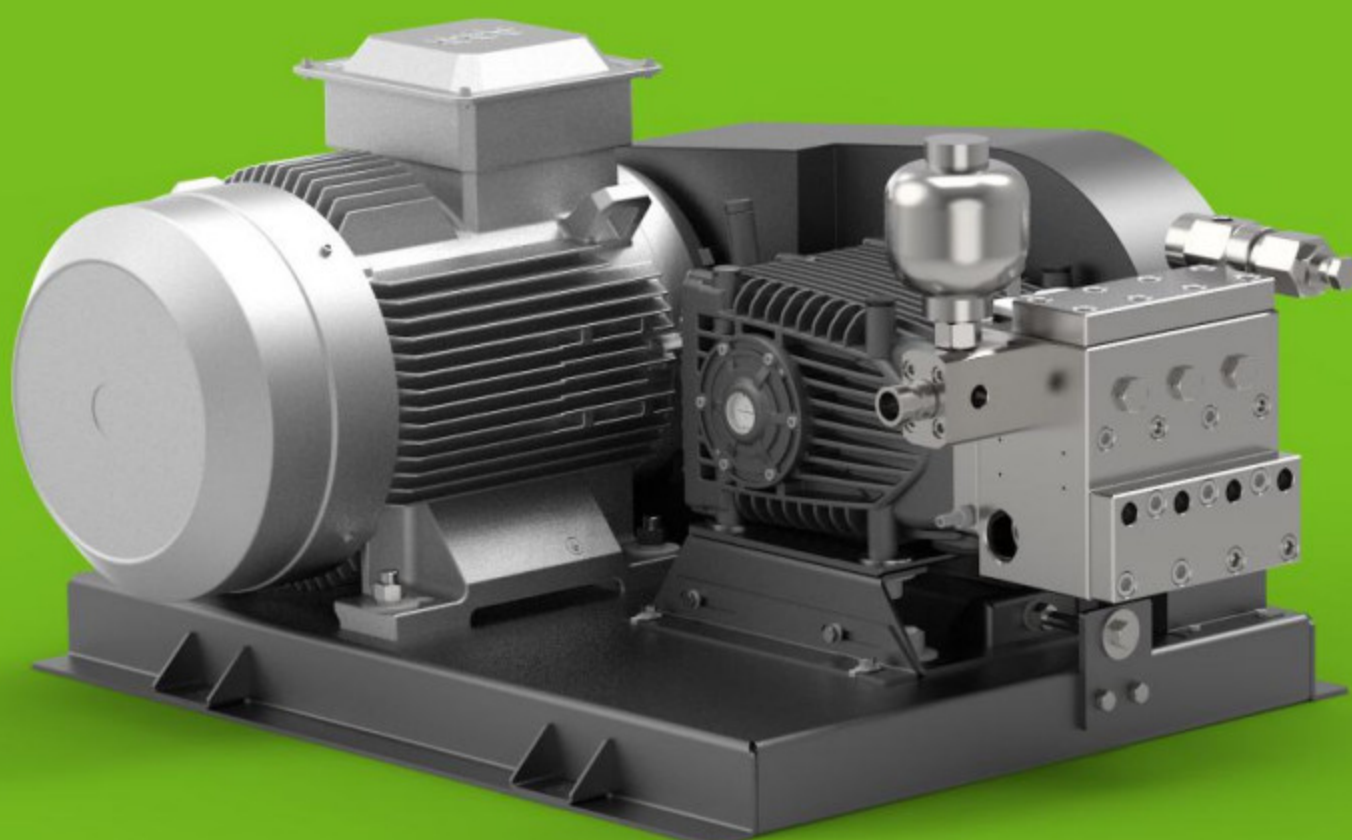
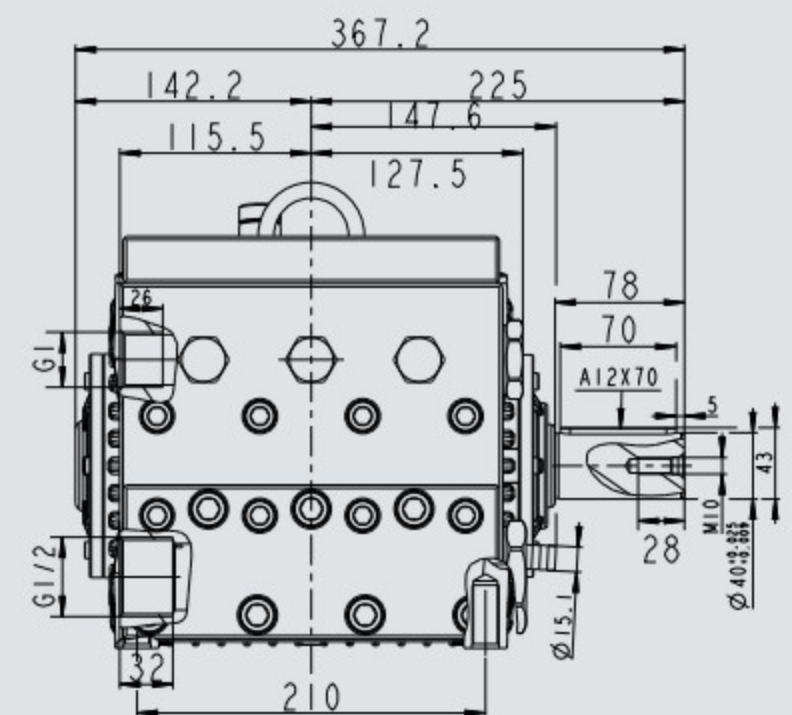
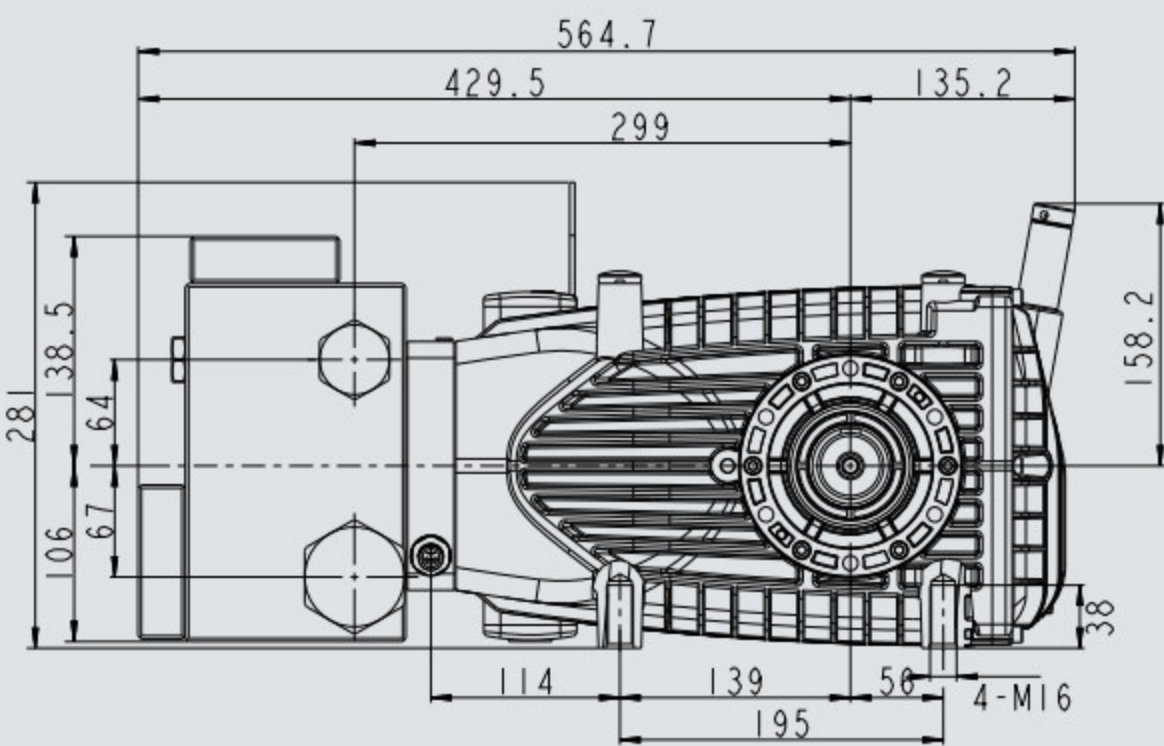
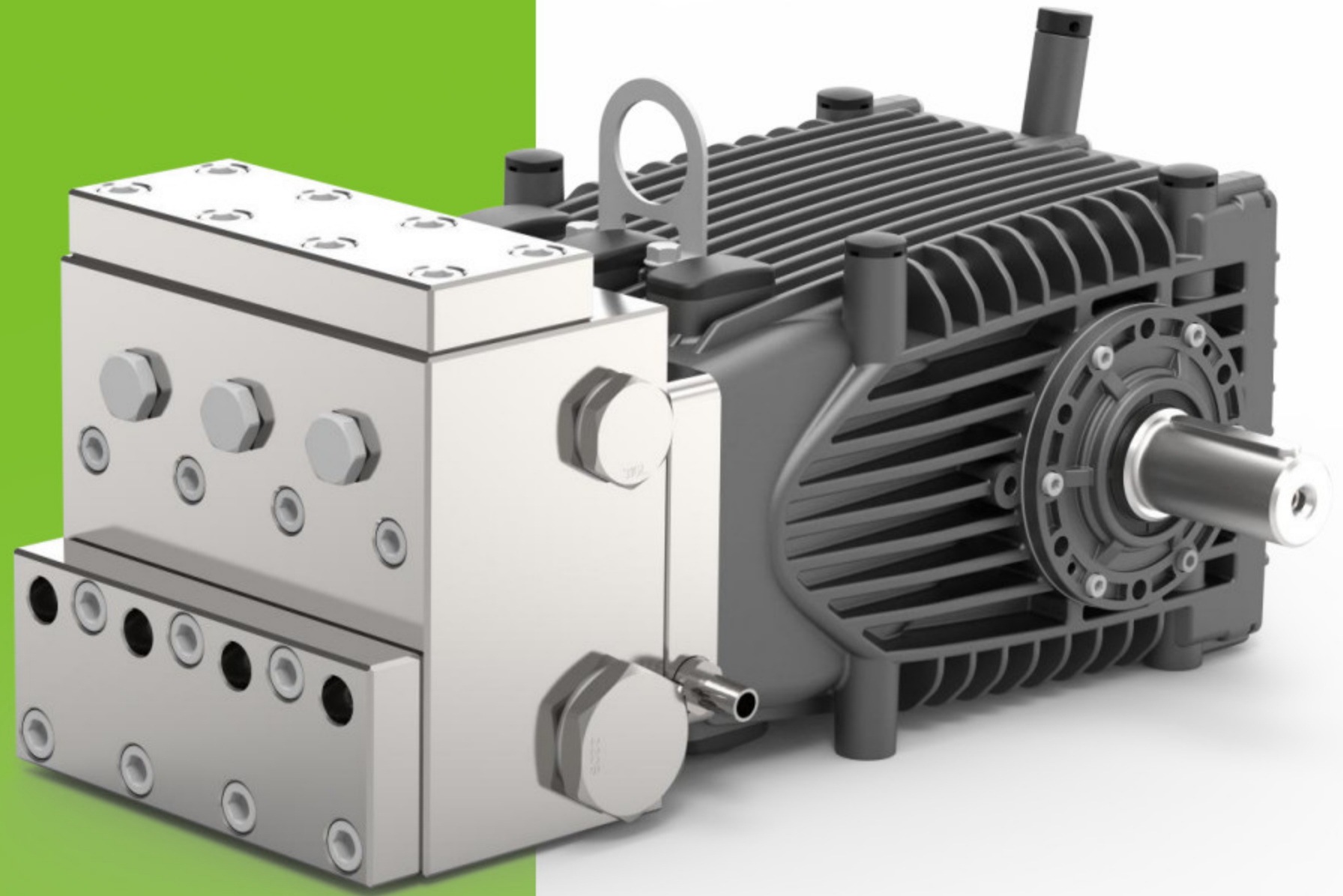
DBH



SPECIFICATION

PUMP MODEL: DBH-3650
FLOW RANGE: 76-137 L/m
RPM RANGE: 500-900 Rpm
MAX PRESSURE: 140 Bar
MOTOR POWER: 37 KW

PUMP MODEL: DBH-4050
FLOW RANGE: 94-169 L/m
RPM RANGE: 500-900 Rpm
MAX PRESSURE: 120 Bar
MOTOR POWER: 37 KW



DBH

RO/CHEMICAL PUMP SET

MOTOR POWER: 15 - 37KW

MAX FLOW: 180 L/m

CONNECTION: Pully

ACCESSORIES: Accumulator, Safety Valve

CONTINUOUS: Low Speed for 24 Hours

MOUNTING BASE: For Optional