

DANAU SPECIAL PLUNGER PUMP

SERIES

DBF



SPECIFICATION

PUMP MODEL: DBF-2524

FLOW RANGE: 35-51 L/m

RPM RANGE: 1000-1450 Rpm

MAX PRESSURE: 180 Bar

MOTOR POWER: 18.5 KW

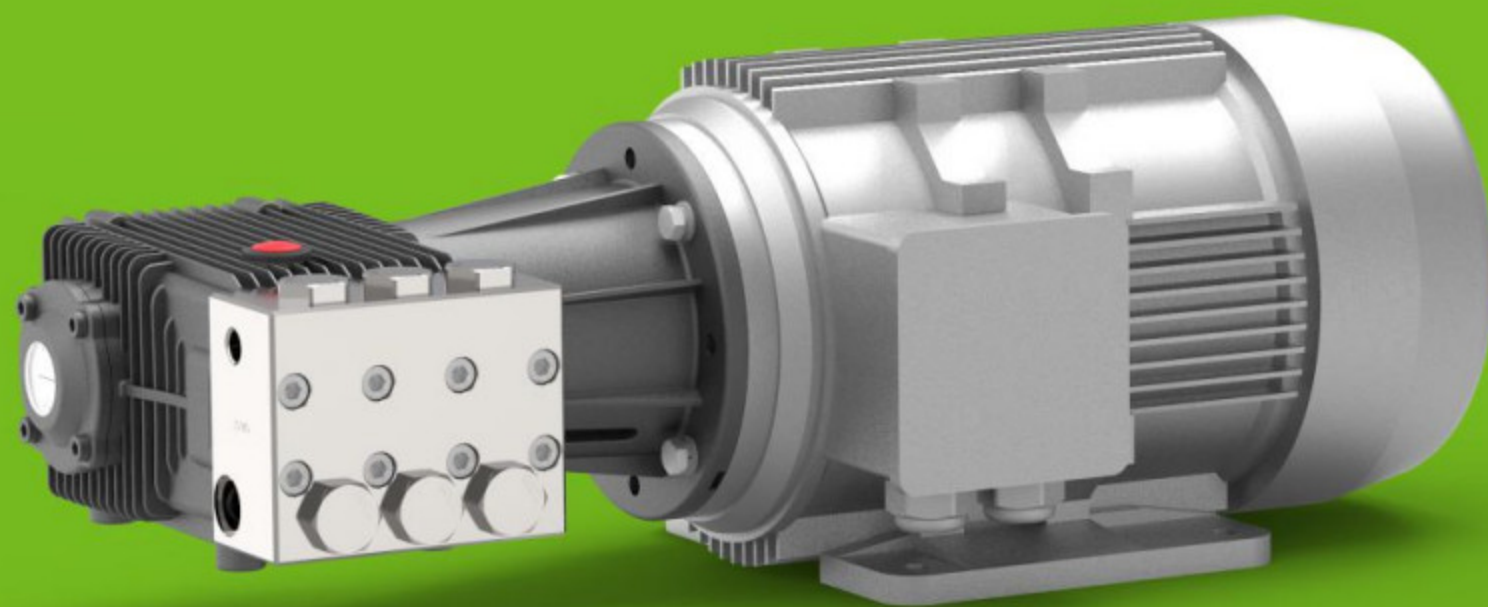
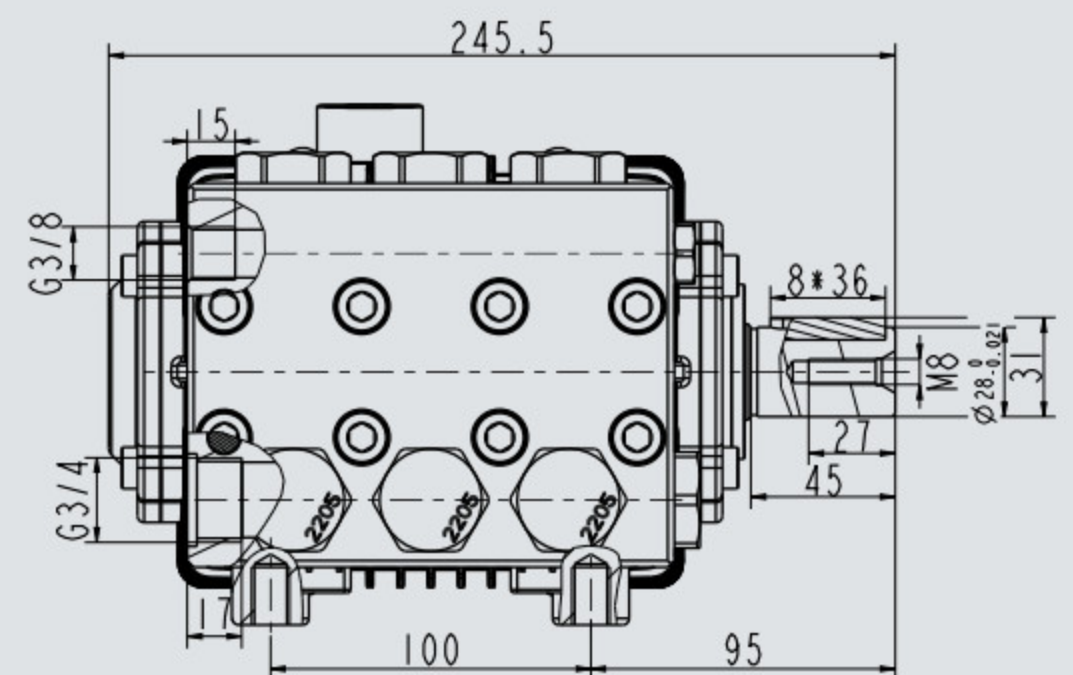
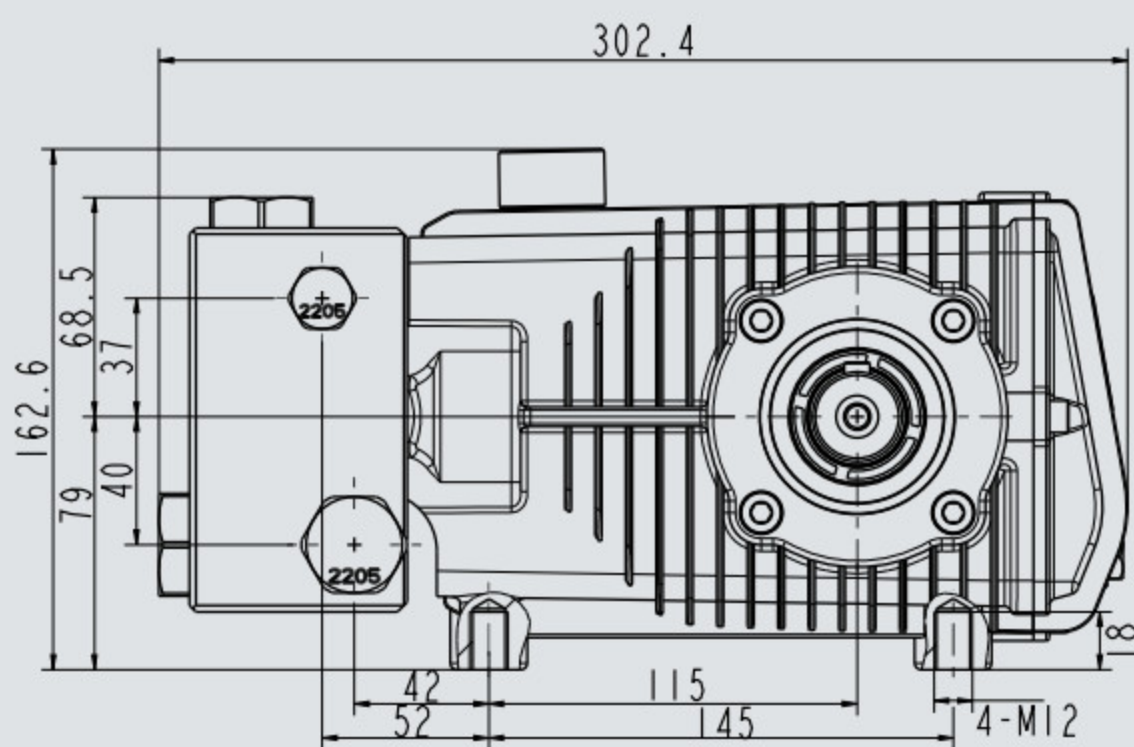
PUMP MODEL: DBF-2824

FLOW RANGE: 44.3-64 L/m

RPM RANGE: 1000-1450 Rpm

MAX PRESSURE: 16 Bar

MOTOR POWER: 18.5 KW



DBF

RO/CHEMICAL PUMP SET

MOTOR POWER: 5.5 -18.5KW

MAX FLOW: 64 L/m

CONNECTION: Bell Housing, Pully

ACCESSORIES: Accumulator, Safety Valve

CONTINUOUS: Low Speed for 24 Hours

MOUNTING BASE: For Optional